

LISTA DE COMPONENTES
LIST OF COMPONENTS PARTS
LISTE DES PARTIES COMPOSANTS
LISTA DE PEÇAS

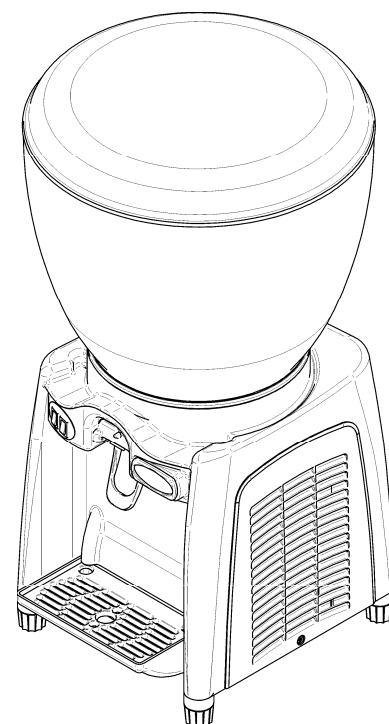
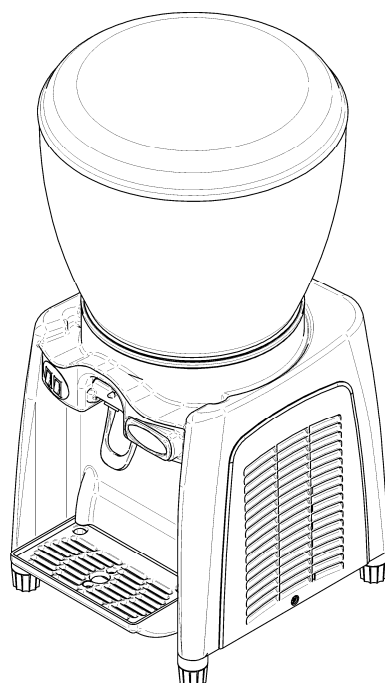
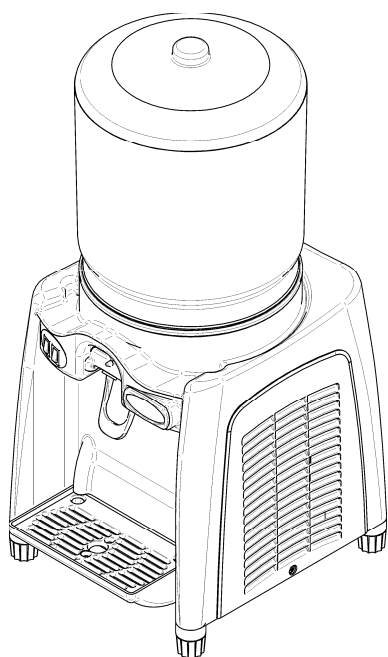
ENFRIADOR DE BEBIDAS
DRINK COOLERS
REFROIDISSEUR DE BOISSONS
MÁQUINA PARA BEBIDAS FRIAS

E – 112 TS-E 230/50 BL/NG

E – 120 TS-E 230/50 BL/NG

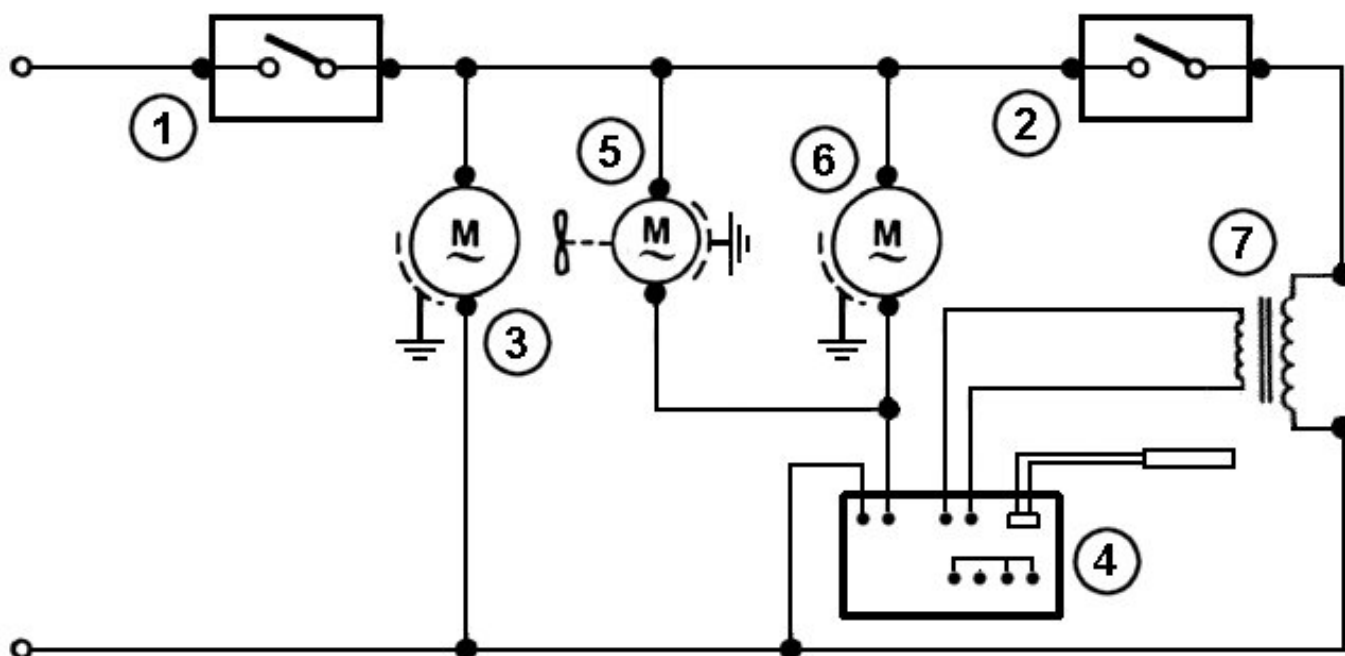
E – 125 TS-E 230/50 BL/NG

250 V. / 50 Hz.



ESQUEMA ELÉCTRICO - WIRING DIAGRAM - SCHEMA ÉLECTRIQUE - ESQUEMA ELETRICO

| Nº | Descripción | Description | Description | Descrição |
|----|----------------------------|-------------------------|-------------------------------|--------------------------|
| 1 | Interruptor general y frío | General switch and cold | Interrupteur général et froid | Interruptor geral e frio |
| 2 | Interruptor agitador | Shovel switch | Interrupteur agitateur | Interruptor pás |
| 3 | Motor agitador | Shovel motor | Moteur agitateur | Motor pás |
| 4 | Termóstato electrónico | Electronic thermostat | Thermostat électronique | Termóstato electrónico |
| 5 | Motoventilador | Motoventilator | Motoventilateur | Motoventilador |
| 6 | Compresor | Compressor | Compresseur | Compressor |
| 7 | Transformador | Transformer | Transformateur | Transformador |



LISTA DE PIEZAS E-112 TS-E P BL/NG

| Nº | Referencia | Denominación |
|----|-------------|--|
| 1 | SL310004061 | CONJ.CHASIS INT.BLNC+EVAP. E-112 TS-E NH |
| 2 | SL310003836 | BANDEJA CHASIS NH |
| 3 | SL310003838 | SOPORTE BANDEJA GOTEO NH |
| 4 | SL300000828 | TORNILLO INOX NFE-27128 M4 x 10 |
| 5 | SL310003839 | ANCLAJE PANEL MANDOS NH |
| 6 | SL310004326 | TORNILLO INOX D-933 M3x12 |
| 7 | SL310004205 | PANEL MANDOS NH 2 INTERR.NEGRO |
| 8 | SL310003963 | ADHESIVO P. MANDOS NH 2 INTERR. |
| 9 | SL300950567 | INTERRUPTOR GENERAL E/DR. 15A. |
| 10 | SL310002718 | TERMOSTATO ELECTRON. + TEMP. 09 |
| 11 | SL310004206 | CONJ.MONT.P.MAND. E-120 TS-E NH NEGRO |
| 12 | SL310004202 | LEVA GRIFO NH NEGRA |
| 13 | SL310004201 | OBTURADOR GRIFO NH NEGRO |
| 14 | SL310003959 | MUELLE GRIFO NH |
| 15 | SL310004203 | GRIFO COMPLETO NH NEGRO |
| 16 | SL300970262 | BANDEJA GOTEO GB-10 NEGRA |
| 17 | SL300970263 | REJILLA GOTEO GB-10 NEGRA |
| 18 | SL340000502 | BANDEJA GOTEO + REJILLA GB NEGRA |
| 19 | SL310004200 | PANEL LATERAL NH NEGRO |
| 20 | SL330000285 | COMPRESOR EMT36HLP 220-240/50 |
| 21 | SL300950441 | TORNILLO ZINC D-933 M6x30 |
| 22 | SL300000254 | ARANDELA ZINC DIN 9021 M6 |
| 23 | SL31JEMG060 | TUERCA ZINC D-934 M6 |
| 24 | SL300001896 | VALVULA OBUS CARGA HB.1T L 50 |
| 25 | SL30NW0F006 | TUBO DE COBRE 1/4 (KG.) (PEDIR MTS.) |
| 26 | SL300197024 | TUBO ARMAFLEX AC-6x06 (MTS) |
| 27 | SL300951357 | PIE NIVELADOR GHZ-14 V/99 |
| 28 | SL300310112 | TORNILLO LATON D-933 M4x15 |
| 29 | SL300310251 | ARANDELA LATON DIN 125 M4 |
| 30 | SL300310206 | TUERCA LATON DIN 934 M4 |

| Nº | Referencia | Denominación |
|----|-------------|--|
| 31 | SL38WBPA107 | PASACABLE PA107 ELETTRGIBI |
| 32 | SL37TAH0401 | MOTOVENTILADOR 120x120x38 220v |
| 33 | SL300009227 | TORNILLO ZINC D-933 M4x45 |
| 34 | SL300191008 | TUBO DE COBRE 3/16 Mts.(R.15M) |
| 35 | SL300310110 | TORNILLO LATON D-86 M4x10 |
| 36 | SL30PZ12NT8 | TUBO SILICONA ALIMENT. BLANCA ø8x12 (M) |
| 37 | SL300950217 | CONDENSADOR E-112/DR115 |
| 38 | SL300950438 | FILTRO DESHIDRATADOR 20 GR. |
| 39 | SL310004088 | TUBO COBRE 1/4 FILTRO-COND. E-112 NH |
| 40 | SL310004080 | CONDENS.+FILTRO E-112 NH |
| 41 | SL310004108 | TUBO CAPILAR COBRE D-0.80MM L 2.50M |
| 42 | SL310002739 | TRANSFORMADOR 230/12 3VA (TA 60°) ENEC |
| 43 | SL300352121 | MOTORREDUCTOR ENFRIADOR 220/50-60 30 RPM |
| 44 | SL3CHML029A | ARANDELA PLANA EPDM NEGRO ø5xø29 x1 |
| 45 | SL300352122 | ENCAJE TRANSMISION ENF. ANTG. |
| 46 | SL300310630 | PASADOR ALETA E-125 1,5x25 |
| 47 | SL310003951 | GRUPO MOTOR COMPL. E-112/120 TS-E NH 220 |
| 48 | SL300200015 | TERMINAL TOMA TIERRA PE-123 ø4 |
| 49 | SL310001883 | DISTANCIADOR INOX SP1525 M3X25 |
| 50 | SL310002736 | SONDA TEMPER. TERMOST. ELECTR. V/09 |
| 51 | SL300310208 | TUERCA INOX DIN 934 M3 |
| 52 | SL310003075 | GOMA GRIFO NH |
| 53 | SL310003965 | ASTA AGITADOR ENFRI. E-112/120/125 NH |
| 54 | SL300350903 | AGITADOR ENFR. E-112/120 01 |
| 55 | SL300350385 | JUNTA DEPOSITO ENFRIADOR E-112 |
| 56 | SL300350382 | DEPOSITO ENFRIADOR E-112 |
| 57 | SL300500050 | TAPA DEPOSITO CH-110 V95/E-112 NEGRA |
| 58 | SL300350856 | PIE ANTIDESLIZANTE M-8x20 |
| 59 | SL310003530 | RELE COMPRESOR EMT36HLP 220-240/50 |
| 60 | SL310003531 | CLIXON COMPRESOR EMT36HLP 220-240/50 |

LIST OF COMPONENTS PARTS E-112 TS-E P BL/NG

| N° | Reference | Description |
|----|-------------|--|
| 1 | SL310004061 | CHASSIS ASS.BLNC+EVAP. E-112 TS-E NH |
| 2 | SL310003836 | CHASSIS TRAY NH |
| 3 | SL310003838 | DRIP TRAY SUPPORT NH |
| 4 | SL300000828 | STAINLESS STEEL SCREW NFE-27128 M4 X 10 |
| 5 | SL310003839 | FIXING CONTROL PANEL NH |
| 6 | SL310004326 | STAINLESS STEEL SCREW D-933 M3X12 |
| 7 | SL310004205 | CONTROL PANEL NH 2 SWITCHB BLACK |
| 8 | SL310003963 | CONTROL PANEL ADHESIVE NH 2 SWITCH |
| 9 | SL300950567 | GENERAL SWITCH 15 AMP. |
| 10 | SL310002718 | ELECTRONIC THERMOSTAT + TEMP 09 |
| 11 | SL310004206 | CONTROL PANEL ASSEMBLY E-120 TS-E NH BLACK |
| 12 | SL310004202 | LEVER DISPENSER NH BLACK |
| 13 | SL310004201 | TAP OBTURATOR NH BLACK |
| 14 | SL310003959 | DISPENSER SPRING NH |
| 15 | SL310004203 | FULL DISPENSER NR BLACK |
| 16 | SL300970262 | DRIP TRAY GB-10 BLACK |
| 17 | SL300970263 | DRIP SCREEN GB 10 BLACK |
| 18 | SL340000502 | DRIP TRAY ASSY - BLACK |
| 19 | SL310004200 | LATERAL PANEL NH BLACK |
| 20 | SL330000285 | COMPRESSOR EMT36HLP 220-240/50 |
| 21 | SL300950441 | ZINC SCREW DIN 933 M6X30 |
| 22 | SL300000254 | ZINC WASHER DIN 9021 M6 |
| 23 | SL31JEMG060 | ZINC NUT DIN 934 M6 |
| 24 | SL300001896 | CHARGE VALVE HB.1 T L 50 |
| 25 | SL30NW0F006 | COPPER TUBE 1/4 (KG.) (ASK MTS) |
| 26 | SL300197024 | ARMAFLEX TUBE AC-6X06 (MTS) |
| 27 | SL300951357 | RUBBER FOOT GHZ-14 V/99 |
| 28 | SL300310112 | BRASS SCREW DIN 933 M4X15 |
| 29 | SL300310251 | BRASS WASHER DIN 125 M4 |
| 30 | SL300310206 | BRASS NUT DIN 934 M4 |

| N° | Reference | Description |
|----|-------------|---|
| 31 | SL38WBPA107 | POWER CABLE FAIRLEAD |
| 32 | SL37TAH0401 | MOTOVENTILATOR 120X120X38 220/50-60 |
| 33 | SL300009227 | ZINC SCREW DIN 933 M4X45 |
| 34 | SL300191008 | COPPER TUBE 3/16 MTS (E.15M) |
| 35 | SL300310110 | BRASS SCREW DIN 86 M4X10 |
| 36 | SL30PZ12NT8 | DRAINPIPE WHITE SILICONE 8X12 X MTS. |
| 37 | SL300950217 | CONDENSER E-112 |
| 38 | SL300950438 | FILTER DRIER 20 GR. |
| 39 | SL310004088 | COPPER TUBE 1/4 FILTER-COND. E-112 NH |
| 40 | SL310004080 | CONDENSER + FILTER E-112 NH |
| 41 | SL310004108 | COPPER CAPILLARY TUBE D-0.80MM L 2.50M |
| 42 | SL310002739 | TRANSFORMER 230/12 3VA (TA 60°) |
| 43 | SL300352121 | MOTOR REDUCING 30 R.P.M. 220/50 |
| 44 | SL3CHML029A | PLAIN JOINT Ø5XØ29X1 |
| 45 | SL300352122 | TRANSMISSION FITTING E-120 |
| 46 | SL300310630 | PIN SOCKET MOTOR 1'5X25 |
| 47 | SL310003951 | FULL MOTOR GROUP E-112/120 TS-E NH 220 |
| 48 | SL300200015 | TERMINAL PE-123 D4 |
| 49 | SL310001883 | STAINLESS STEEL SPACER SP1525 M3X25 |
| 50 | SL310002736 | SOUNDS OUT TEMP. ELECTRONIC THERM. V/09 |
| 51 | SL300310208 | STAINLESS STEEL NUT DIN934 M3 |
| 52 | SL310003075 | GUM DISPENSER NH |
| 53 | SL310003965 | COOLER MIXER SHAFT E-112/120 01 |
| 54 | SL300350903 | SHOVEL E-112/120 01 |
| 55 | SL300350385 | TANK JOINT |
| 56 | SL300350382 | TANK E-112 |
| 57 | SL300500050 | TANK COVER E-112 BLACK |
| 58 | SL300350856 | ANTISKID RUBBER FOOT M8X20 |
| 59 | SL310003530 | COMPRESSOR RELAY EMT36HLP 220-240/50 |
| 60 | SL310003531 | COMPRESSOR CLIXON EMT36HLP 220-240/50 |

LISTE DES PARTIES COMPOSANTS E-112 TS-E P BL/NG

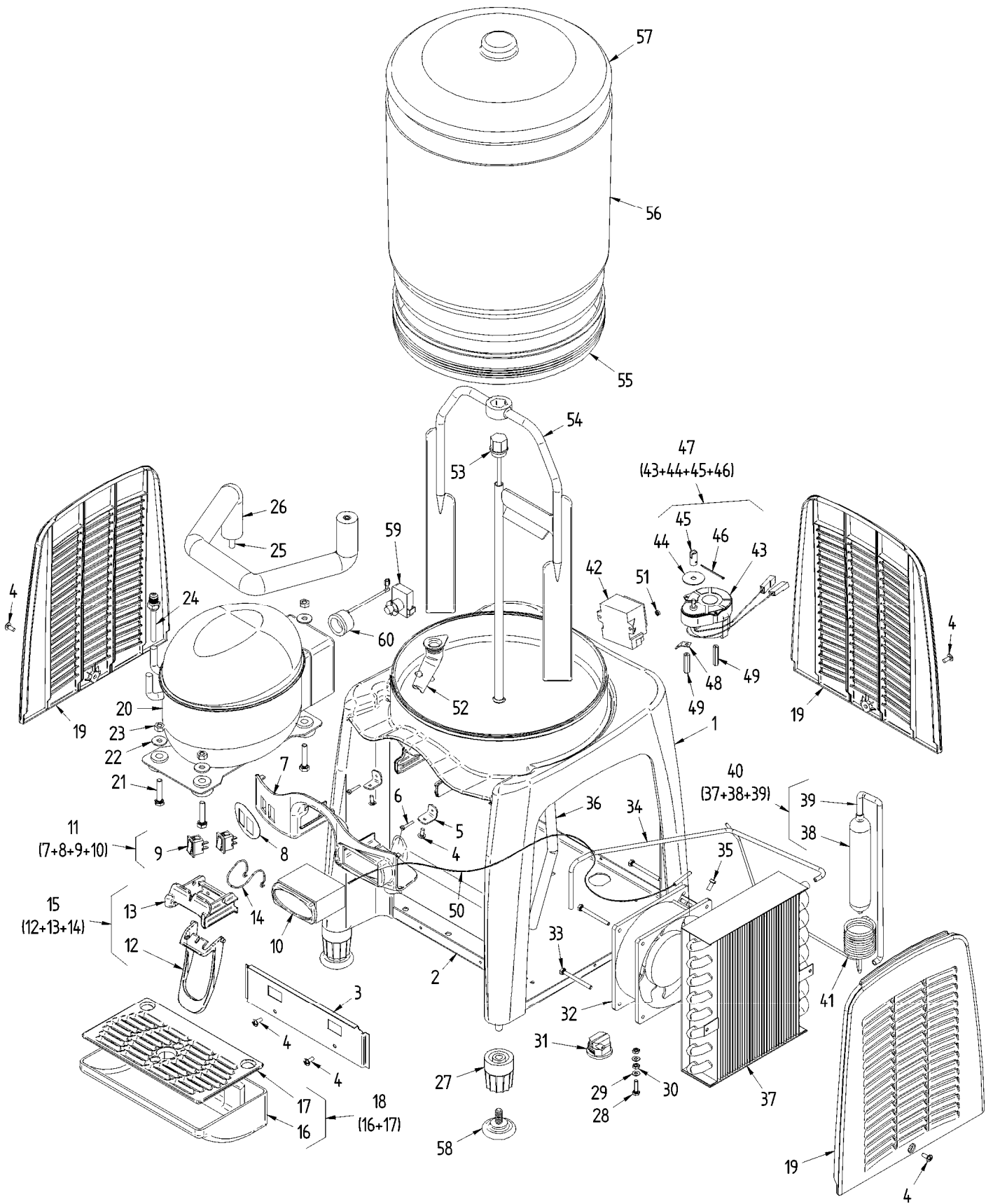
| N° | Référence | Description |
|----|-------------|---|
| 1 | SL310004061 | ENS. CHASSIS INT.BLNC+EVAP. E-112 TS-E NH |
| 2 | SL310003836 | PLATEAU CHÂSSIS NH |
| 3 | SL310003838 | SUPPORT PLATEAU D'ÉGOUTTEMENT NH |
| 4 | SL300000828 | VIS INOX NFE-27128 M4 X 10 |
| 5 | SL310003839 | ANCRAGE PANNEAU COMMANDS NH |
| 6 | SL310004326 | VIS INOX D-933 M3x12 |
| 7 | SL310004205 | PANNEAU COMMANDE NH 2 INTERR. NOIR |
| 8 | SL310003963 | ADHÉSIF P. COMMANDES NH 2 INTERR. |
| 9 | SL300950567 | INTÉRRUPTEUR GÉNÉRAL E/DR. 15A. |
| 10 | SL310002718 | THERMOSTAT ÉLECT. + TEMP. 09 |
| 11 | SL310004206 | ENS. MONT. P. COMM. E-120 TS-E NH NOIR |
| 12 | SL310004202 | LEVIER ROBINET NH NOIR |
| 13 | SL310004201 | OBTURATEUR ROBINET NH NOIR |
| 14 | SL310003959 | RESSORT ROBINET NH |
| 15 | SL310004203 | ROBINET COMPLET NH NOIR |
| 16 | SL300970262 | PLATEAU D'ÉGOUTTEMENT GB-10 NOIR |
| 17 | SL300970263 | GRILLE D'ÉGOUTTEMENT GB-10 NOIR |
| 18 | SL340000502 | PLATEAU D'ÉGOUTTEMENT GB COMPLET NOIR |
| 19 | SL310004200 | PANNEAU LATÉRAL NH NOIR |
| 20 | SL330000285 | COMPRESSEUR EMT36HLP 220-240/50 |
| 21 | SL300950441 | VIS ZINC DIN 933 M6X30 |
| 22 | SL300000254 | RONDELLE ZINC DIN 9021 M6 |
| 23 | SL31JEMG060 | ÉCROU ZINC D-934 M6 |
| 24 | SL300001896 | VALVE OBUS CHARGE HB.1T L 50 |
| 25 | SL30NW0F006 | TUBE CUIVRE 1/4 (KG) (EN MTS.) |
| 26 | SL300197024 | TUBE ARMAFLEX AC-6x06 (MTS) |
| 27 | SL300951357 | PIED À NIVELER GHZ-14 V/99 |
| 28 | SL300310112 | VIS LAITON DIN 933 M4X15 |
| 29 | SL300310251 | RONDELLE LAITON DIN 125 M4 |
| 30 | SL300310206 | ÉCROU LAITON DIN 934 M4 |

| N° | Référence | Description |
|----|-------------|---|
| 31 | SL38WBPA107 | PASSE-CABLE PA107 ELETTRGIBI |
| 32 | SL37TAH0401 | MOTOVENTILATEUR 120X120 220/50 |
| 33 | SL300009227 | VIS ZINC DIN 933 M4X45 |
| 34 | SL300191008 | TUBE CUIVRE DIN 86 M4x10 |
| 35 | SL300310110 | VIS LAITON DIN 86 M4X10 |
| 36 | SL30PZ12NT8 | TUBE SILICONE ALIMENT. BLANCHE diam8X12 (M) |
| 37 | SL300950217 | CONDENSATEUR E-112/DR115 |
| 38 | SL300950438 | FILTRE DÉSHYDRATEUR 20 GR. |
| 39 | SL310004088 | TUBE CUIVRE 1/4 FILTRE-COND. E-112 NH |
| 40 | SL310004080 | CONDENSATEUR + FILTRE E-112 NH |
| 41 | SL310004108 | TUBE CAPILLAIRE CUIVRE D-0.80MM L 2.50M |
| 42 | SL310002739 | TRANSFORMATEUR 230/12 3VA (TA 60°) ENEC |
| 43 | SL300352121 | MOTORÉDUCTEUR 30 R.P.M. 220/50-60 |
| 44 | SL3CHML029A | JOINT PLANE Ø5XØ29X1 |
| 45 | SL300352122 | LIAISON TRANSMISSION MOTEUR E-120 |
| 46 | SL300310630 | GOUPILLE LIAISON MOTEUR E-125 1'5X25 |
| 47 | SL310003951 | GROUPE MOTEUR COMPLET E-112/120 TS-E NH 220 |
| 48 | SL300200015 | BORNE PRISE DE TERRE PE-123 Ø4 |
| 49 | SL310001883 | SÉPARATEUR INOX SP1525 M3x25 |
| 50 | SL310002736 | SONDE TEMPÉR. THERMOST. ÉLECT. V/09 |
| 51 | SL300310208 | ÉCROU INOX DIN 934 M3 |
| 52 | SL310003075 | TUBE CAOUTCHOUC ROBINET NH |
| 53 | SL310003965 | AXE AGITATEUR REFR. E-112/120/125 NH |
| 54 | SL300350903 | PALES E-112/120 01 |
| 55 | SL300350385 | JOINT RÉSERVOIR E-112 |
| 56 | SL300350382 | RÉSERVOIR E-112 |
| 57 | SL300500050 | COUVERCLE RÉSERVOIR CH-110 V95/E-112 NOIR |
| 58 | SL300350856 | PIED ANTI-GLISSEMENT M8X20 |
| 59 | SL310003530 | RELAIS COMPRESSEUR EMT36HLP 220-240/50 |
| 60 | SL310003531 | CLIXON COMPRESSEUR EMT36HLP 220-240/50 |

LISTA DE PEÇAS E-112 TS-E P BL/NG

| Nº | Referência | Descrição |
|----|-------------|--|
| 1 | SL310004061 | CONJ. CHASSIS INT.BRANCO + EVAP. E-112 TS-E NH |
| 2 | SL310003836 | BANDEJA CHASSI NH |
| 3 | SL310003838 | SUPORTE BANDEJA GOTEJAMENTO NH |
| 4 | SL300000828 | PARAFUSO INOX NFE-27128 M4 x 10 |
| 5 | SL310003839 | ANCHORAGE PAINEL CONTROLE NH |
| 6 | SL310004326 | PARAFUSO INOX D-933 M3x12 |
| 7 | SL310004205 | PAINEL CONTROLES NH 2 INTERR. PRETO |
| 8 | SL310003963 | ADESIVO PAINEL CONTR. NH 2 INTERR. |
| 9 | SL300950567 | INTERRUPTOR GERAL 15A |
| 10 | SL310002718 | TERMOSTATO ELECTRÔNICO + TEMP. 09 |
| 11 | SL310004206 | CONJ. PAINEL CONTR. E-120 TS-E NH PRETO |
| 12 | SL310004202 | ALAVANCA TORNEIRA NH PRETA |
| 13 | SL310004201 | TAMPA TORNEIRA NH PRETA |
| 14 | SL310003959 | MOLHE TORNEIRA NH |
| 15 | SL310004203 | TORNEIRA COMPLETE NH PRETA |
| 16 | SL300970262 | BANDEJA GOTEJAMENTO GB-10 PRETA |
| 17 | SL300970263 | GRADE GOTEJAMENTO GB-10 PRETA |
| 18 | SL340000502 | BANDEJA GOTEJAMENTO + GRADE GB PRETA |
| 19 | SL310004200 | PAINEL LATERAL NH PRETO |
| 20 | SL330000285 | COMPRESSOR EMT36HLP 220-240/50 |
| 21 | SL300950441 | PARAFUSO ZINCADO DIN 933 M6X30 |
| 22 | SL300000254 | ANILHA ZINCADA DIN 9021 M6 |
| 23 | SL31JEMG060 | PORCA ZINCADA D-934 M6 |
| 24 | SL300001896 | VÁLVULA OBUS CARGA HB.1T L 50 |
| 25 | SL30NW0F006 | TUBO DE COBRE 1/4 (KG.) (PEDIR MTS.) |
| 26 | SL300197024 | TUBO ARMAFLEX AC-6x06 (MTS) |
| 27 | SL300951357 | PÉ NIVELADOR GHZ-14 V/99 |
| 28 | SL300310112 | PARAFUSO LATÃO DIN 933 M4X15 |
| 29 | SL300310251 | ANILHA LATÃO DIN 125 M4 |
| 30 | SL300310206 | PORCA LATÃO DIN 934 M4 |

| Nº | Referência | Descrição |
|----|-------------|--|
| 31 | SL38WBPA107 | PASSA-FIO PA107 ELETTRGIBI |
| 32 | SL37TAH0401 | MOTOVENTILADOR 120X120X38 220/50 |
| 33 | SL300009227 | PARAFUSO ZINCADO DIN 933 M4X45 |
| 34 | SL300191008 | TUBO DE COBRE 3/16 Mts.(R.15M) |
| 35 | SL300310110 | PARAFUSO LATÃO DIN 86 M4X10 |
| 36 | SL30PZ12NT8 | TUBO ESCOAM. SILICONA BRANCA Ø8XØ12 X MTS. |
| 37 | SL300950217 | CONDENSADOR E-112/DR115 |
| 38 | SL300950438 | FILTRO DESIDRATADOR 20 GR. |
| 39 | SL310004088 | TUBO COBRE 1/4 FILTRO-CONDENSADOR E-112 NH |
| 40 | SL310004080 | CONDENSADOR + FILTRO E-112 NH |
| 41 | SL310004108 | TUBO CAPILAR COBRE D-0.80MM L 2.50M |
| 42 | SL310002739 | TRANSFORMADOR 230/12 3VA (TA 60°) ENEC |
| 43 | SL300352121 | MOTORREDUTOR 30 R.P.M. 220/50 |
| 44 | SL3CHML029A | JUNTA PLANA Ø5XØ29X1 |
| 45 | SL300352122 | ENCAIXE TRANSMISSÃO E-120 |
| 46 | SL300310630 | PASSADOR DE ALETA E-125 1'5X25 |
| 47 | SL310003951 | GRUPO MOTOR COMPL. E-112/120 TS-E NH 220 |
| 48 | SL300200015 | TERMINAL TOMADA TERRA PE-123 D4 |
| 49 | SL310001883 | DISTANCIADOR INOX SP1525 M3X25 |
| 50 | SL310002736 | SOA FORA TEMP.TERMOST.ELECTRÔ. V/09 |
| 51 | SL300310208 | PORCA INOX DIN 934 M3 |
| 52 | SL310003075 | GOMA TORNEIRA NH |
| 53 | SL310003965 | HASTE AGITADOR E-112/120/125 NH |
| 54 | SL300350903 | PÁS AGITADOR E-112/120 01 |
| 55 | SL300350385 | JUNTA DEPÓSITO E-112 |
| 56 | SL300350382 | DEPÓSITO E-112 |
| 57 | SL300500050 | TAMPA DEPOSITO CH-110 V95/E-112 PRETA |
| 58 | SL300350856 | PÉ ANTIDERRAPAGEM M8X20 |
| 59 | SL310003530 | RELÉ COMPRESSOR EMT36HLP 220-240/50 |
| 60 | SL310003531 | CLIXON COMPRESSOR EMT36HLP 220-240/50 |



LISTA DE PIEZAS E-120 TS-E P BL/NG

| Nº | Referencia | Denominación |
|----|-------------|--|
| 1 | SL310004070 | CONJ.CHASIS INT.BLNC+EVAP. E-120 TS-E NH |
| 2 | SL310003836 | BANDEJA CHASIS NH |
| 3 | SL310003838 | SOPORTE BANDEJA GOTEIO NH |
| 4 | SL300000828 | TORNILLO INOX NFE-27128 M4 x 10 |
| 5 | SL310003839 | ANCLAJE PANEL MANDOS NH |
| 6 | SL310004326 | TORNILLO INOX D-933 M3x12 |
| 7 | SL310004205 | PANEL MANDOS NH 2 INTERR.NEGRO |
| 8 | SL310003963 | ADHESIVO P. MANDOS NH 2 INTERR. |
| 9 | SL300950567 | INTERRUPTOR GENERAL E/DR. 15A. |
| 10 | SL310002718 | TERMOSTATO ELECTRON. + TEMP. 09 |
| 11 | SL310004206 | CONJ.MONT.P.MAND. E-120 TS-E NH NEGRO |
| 12 | SL310004202 | LEVA GRIFO NH NEGRA |
| 13 | SL310004201 | OBTURADOR GRIFO NH NEGRO |
| 14 | SL310003959 | MUELLE GRIFO NH |
| 15 | SL310004203 | GRIFO COMPLETO NH NEGRO |
| 16 | SL300970262 | BANDEJA GOTEIO GB-10 NEGRA |
| 17 | SL300970263 | REJILLA GOTEIO GB-10 NEGRA |
| 18 | SL340000502 | BANDEJA GOTEIO + REJILLA GB NEGRA |
| 19 | SL310004200 | PANEL LATERAL NH NEGRO |
| 20 | SL330000285 | COMPRESOR EMT36HLP 220-240/50 |
| 21 | SL300950441 | TORNILLO ZINC D-933 M6x30 |
| 22 | SL300000254 | ARANDELA ZINC DIN 9021 M6 |
| 23 | SL31JEMG060 | TUERCA ZINC D-934 M6 |
| 24 | SL300001896 | VALVULA OBUS CARGA HB.1T L 50 |
| 25 | SL30NW0F006 | TUBO DE COBRE 1/4 (KG.) (PEDIR MTS.) |
| 26 | SL300197024 | TUBO ARMAFLEX AC-6x06 (MTS) |
| 27 | SL300951357 | PIE NIVELADOR GHZ-14 V/99 |
| 28 | SL300310112 | TORNILLO LATON D-933 M4x15 |
| 29 | SL300310251 | ARANDELA LATON DIN 125 M4 |
| 30 | SL300310206 | TUERCA LATON DIN 934 M4 |

| Nº | Referencia | Denominación |
|----|-------------|--|
| 31 | SL38WBPA107 | PASACABLE PA107 ELETTRIGIBI |
| 32 | SL37TAH0401 | MOTOVENTILADOR 120x120x38 220v |
| 33 | SL300009227 | TORNILLO ZINC D-933 M4x45 |
| 34 | SL300191008 | TUBO DE COBRE 3/16 Mts.(R.15M) |
| 35 | SL300310110 | TORNILLO LATON D-86 M4x10 |
| 36 | SL30PZ12NT8 | TUBO SILICONA ALIMENT. BLANCA ø8x12 (M) |
| 37 | SL300950361 | CONDENS. E-120/E-125 |
| 38 | SL300950438 | FILTRO DESHIDRATADOR 20 GR. |
| 39 | SL310004088 | TUBO COBRE 1/4 FILTRO-COND. E-112 NH |
| 40 | SL310001819 | CONDENS.+FILTRO E-120/E-125 |
| 41 | SL310004107 | TUBO CAPILAR COBRE D-0.80MM L 2.70M |
| 42 | SL310002739 | TRANSFORMADOR 230/12 3VA (TA 60°) ENEC |
| 43 | SL300352121 | MOTORREDUCTOR ENFRIADOR 220/50-60 30 RPM |
| 44 | SL3CHML029A | ARANDELA PLANA EPDM NEGRO ø5xø29 x1 |
| 45 | SL300352122 | ENCAJE TRANSMISION ENF. ANTG. |
| 46 | SL300310630 | PASADOR ALETA E-125 1,5x25 |
| 47 | SL310003951 | GRUPO MOTOR COMPL. E-112/120 TS-E NH 220 |
| 48 | SL300200015 | TERMINAL TOMA TIERRA PE-123 ø4 |
| 49 | SL310001883 | DISTANCIADOR INOX SP1525 M3x25 |
| 50 | SL310002736 | SONDA TEMPER. TERMOST. ELECTR. V/09 |
| 51 | SL300310208 | TUERCA INOX DIN 934 M3 |
| 52 | SL310003075 | GOMA GRIFO NH |
| 53 | SL310003965 | ASTA AGITADOR ENFRI. E-112/120/125 NH |
| 54 | SL300350903 | AGITADOR ENFR. E-112/120 01 |
| 55 | SL300382021 | JUNTA EXTERIOR DEPOSITO E-120/125 |
| 56 | SL300350001 | DEPOSITO ENFRIADOR E-120 |
| 57 | SL310004207 | TAPA DEPOSITO E-120 NEGRA |
| 58 | SL300350856 | PIE ANTIDESLIZANTE M-8x20 |
| 59 | SL310003530 | RELE COMPRESOR EMT36HLP 220-240/50 |
| 60 | SL310003531 | CLIXON COMPRESOR EMT36HLP 220-240/50 |

LIST OF COMPONENTS PARTS E-120 TS-E P BL/NG

| N° | Reference | Description |
|----|-------------|--|
| 1 | SL310004070 | CHASSIS ASS.BLNC+EVAP. E-120 TS-E NH |
| 2 | SL310003836 | CHASSIS TRAY NH |
| 3 | SL310003838 | DRIP TRAY SUPPORT NH |
| 4 | SL300000828 | STAINLESS STEEL SCREW NFE-27128 M4 X 10 |
| 5 | SL310003839 | FIXING CONTROL PANEL NH |
| 6 | SL310004326 | STAINLESS STEEL SCREW D-933 M3X12 |
| 7 | SL310004205 | CONTROL PANEL NH 2 SWITCHB BLACK |
| 8 | SL310003963 | CONTROL PANEL ADHESIVE NH 2 SWITCH |
| 9 | SL300950567 | GENERAL SWITCH 15 AMP. |
| 10 | SL310002718 | ELECTRONIC THERMOSTAT + TEMP 09 |
| 11 | SL310004206 | CONTROL PANEL ASSEMBLY E-120 TS-E NH BLACK |
| 12 | SL310004202 | LEVER DISPENSER NH BLACK |
| 13 | SL310004201 | TAP OBTURATOR NH BLACK |
| 14 | SL310003959 | DISPENSER SPRING NH |
| 15 | SL310004203 | FULL DISPENSER NR BLACK |
| 16 | SL300970262 | DRIP TRAY GB-10 BLACK |
| 17 | SL300970263 | DRIP SCREEN GB 10 BLACK |
| 18 | SL340000502 | DRIP TRAY ASSY - BLACK |
| 19 | SL310004200 | LATERAL PANEL NH BLACK |
| 20 | SL330000285 | COMPRESSOR EMT36HLP 220-240/50 |
| 21 | SL300950441 | ZINC SCREW DIN 933 M6X30 |
| 22 | SL300000254 | ZINC WASHER DIN 9021 M6 |
| 23 | SL31JEMG060 | ZINC NUT DIN 934 M6 |
| 24 | SL300001896 | CHARGE VALVE HB.1 T L 50 |
| 25 | SL30NW0F006 | COPPER TUBE 1/4 (KG.) (ASK MTS) |
| 26 | SL300197024 | ARMAFLEX TUBE AC-6X06 (MTS) |
| 27 | SL300951357 | RUBBER FOOT GHZ-14 V/99 |
| 28 | SL300310112 | BRASS SCREW DIN 933 M4X15 |
| 29 | SL300310251 | BRASS WASHER DIN 125 M4 |
| 30 | SL300310206 | BRASS NUT DIN 934 M4 |

| N° | Reference | Description |
|----|-------------|---|
| 31 | SL38WBPA107 | POWER CABLE FAIRLEAD |
| 32 | SL37TAH0401 | MOTOVENTILATOR 120X120X38 220/50-60 |
| 33 | SL300009227 | ZINC SCREW DIN 933 M4X45 |
| 34 | SL300191008 | COPPER TUBE 3/16 MTS (E.15M) |
| 35 | SL300310110 | BRASS SCREW DIN 86 M4X10 |
| 36 | SL30PZ12NT8 | DRAINPIPE WHITE SILICONE 8X12 X MTS. |
| 37 | SL300950361 | CONDENSER E-120/E-125 |
| 38 | SL300950438 | FILTER DRIER 20 GR. |
| 39 | SL310004088 | COPPER TUBE 1/4 FILTER-COND. E-112 NH |
| 40 | SL310001819 | CONDENSER + FILTER E-120/E-125 |
| 41 | SL310004107 | COPPER CAPILLARY TUBE D-0.80MM L 2.70M |
| 42 | SL310002739 | TRANSFORMER 230/12 3VA (TA 60°) |
| 43 | SL300352121 | MOTOR REDUCING 30 R.P.M. 220/50 |
| 44 | SL3CHML029A | PLAIN JOINT Ø5XØ29X1 |
| 45 | SL300352122 | TRANSMISSION FITTING E-120 |
| 46 | SL300310630 | PIN SOCKET MOTOR 1'5X25 |
| 47 | SL310003951 | FULL MOTOR GROUP E-112/120 TS-E NH 220 |
| 48 | SL300200015 | TERMINAL PE-123 D4 |
| 49 | SL310001883 | STAINLESS STEEL SPACER SP1525 M3X25 |
| 50 | SL310002736 | SOUNDS OUT TEMP. ELECTRONIC THERM. V/09 |
| 51 | SL300310208 | STAINLESS STEEL NUT DIN934 M3 |
| 52 | SL310003075 | GUM DISPENSER NH |
| 53 | SL310003965 | COOLER MIXER SHAFT E-112/120 01 |
| 54 | SL300350903 | SHOVEL E-112/120 01 |
| 55 | SL300382021 | TANK JOINT E-120/125 |
| 56 | SL300350001 | TANK E-120 |
| 57 | SL310004207 | TANK COVER E-120 BLACK |
| 58 | SL300350856 | ANTISKID RUBBER FOOT M8X20 |
| 59 | SL310003530 | COMPRESSOR RELAY EMT36HLP 220-240/50 |
| 60 | SL310003531 | COMPRESSOR CLIXON EMT36HLP 220-240/50 |

LISTE DES PARTIES COMPOSANTS E-120 TS-E P BL/NG

| N° | Référence | Description |
|----|-------------|---|
| 1 | SL310004070 | ENS. CHASSIS INT.BLNC+EVAP. E-120 TS-E NH |
| 2 | SL310003836 | PLATEAU CHÂSSIS NH |
| 3 | SL310003838 | SUPPORT PLATEAU D'ÉGOUTTEMENT NH |
| 4 | SL300000828 | VIS INOX NFE-27128 M4 X 10 |
| 5 | SL310003839 | ANCORAGE PANNEAU COMMANDS NH |
| 6 | SL310004326 | VIS INOX D-933 M3x12 |
| 7 | SL310004205 | PANNEAU COMMANDE NH 2 INTERR. NOIR |
| 8 | SL310003963 | ADHÉSIF P. COMMANDES NH 2 INTERR. |
| 9 | SL300950567 | INTÉRRUPTEUR GÉNÉRAL E/DR. 15A. |
| 10 | SL310002718 | THERMOSTAT ÉLECT. + TEMP. 09 |
| 11 | SL310004206 | ENS. MONT. P. COMM. E-120 TS-E NH NOIR |
| 12 | SL310004202 | LEVIER ROBINET NH NOIR |
| 13 | SL310004201 | OBTURATEUR ROBINET NH NOIR |
| 14 | SL310003959 | RESSORT ROBINET NH |
| 15 | SL310004203 | ROBINET COMPLET NH NOIR |
| 16 | SL300970262 | PLATEAU D'ÉGOUTTEMENT GB-10 NOIR |
| 17 | SL300970263 | GRILLE D'ÉGOUTTEMENT GB-10 NOIR |
| 18 | SL340000502 | PLATEAU D'ÉGOUTTEMENT GB COMPLET NOIR |
| 19 | SL310004200 | PANNEAU LATÉRAL NH NOIR |
| 20 | SL330000285 | COMPRESSEUR EMT36HLP 220-240/50 |
| 21 | SL300950441 | VIS ZINC DIN 933 M6X30 |
| 22 | SL300000254 | RONDELLE ZINC DIN 9021 M6 |
| 23 | SL31JEMG060 | ÉCROU ZINC D-934 M6 |
| 24 | SL300001896 | VALVE OBUS CHARGE HB.1T L 50 |
| 25 | SL30NW0F006 | TUBE CUIVRE 1/4 (KG) (EN MTS.) |
| 26 | SL300197024 | TUBE ARMAFLEX AC-6x06 (MTS) |
| 27 | SL300951357 | PIED À NIVELER GHZ-14 V/99 |
| 28 | SL300310112 | VIS LAITON DIN 933 M4X15 |
| 29 | SL300310251 | RONDELLE LAITON DIN 125 M4 |
| 30 | SL300310206 | ÉCROU LAITON DIN 934 M4 |

| N° | Référence | Description |
|----|-------------|---|
| 31 | SL38WBPA107 | PASSE-CABLE PA107 ELETTRGIBI |
| 32 | SL37TAH0401 | MOTOVENTILATEUR 120X120 220/50 |
| 33 | SL300009227 | VIS ZINC DIN 933 M4X45 |
| 34 | SL300191008 | TUBE CUIVRE DIN 86 M4X10 |
| 35 | SL300310110 | VIS LAITON DIN 86 M4X10 |
| 36 | SL30PZ12NT8 | TUBE SILICONE ALIMENT. BLANCHE diam8X12 (M) |
| 37 | SL300950361 | CONDENSATEUR E-120/E-125 |
| 38 | SL300950438 | FILTRE DÉSHYDRATEUR 20 GR. |
| 39 | SL310004088 | TUBE CUIVRE 1/4 FILTRE-COND. E-112 NH |
| 40 | SL310001819 | CONDENSATEUR + FILTRE E-120/E-125 |
| 41 | SL310004107 | TUBE CAPILLAIRE CUIVRE D-0.80MM L 2.70M |
| 42 | SL310002739 | TRANSFORMATEUR 230/12 3VA (TA 60°) ENEC |
| 43 | SL300352121 | MOTORÉDUCTEUR 30 R.P.M. 220/50-60 |
| 44 | SL3CHML029A | JOINT PLANE Ø5XØ29X1 |
| 45 | SL300352122 | LIAISON TRANSMISSION MOTEUR E-120 |
| 46 | SL300310630 | GOUPILLE LIAISON MOTEUR E-125 1'5X25 |
| 47 | SL310003951 | GROUPE MOTEUR COMPLET E-112/120 TS-E NH 220 |
| 48 | SL300200015 | BORNE PRISE DE TERRE PE-123 Ø4 |
| 49 | SL310001883 | SÉPARATEUR INOX SP1525 M3x25 |
| 50 | SL310002736 | SONDE TEMPÉR. THERMOST. ÉLECT. V/09 |
| 51 | SL300310208 | ÉCROU INOX DIN 934 M3 |
| 52 | SL310003075 | TUBE CAOUTCHOUC ROBINET NH |
| 53 | SL310003965 | AXE AGITATEUR REFR. E-112/120/125 NH |
| 54 | SL300350903 | PALES E-112/120 01 |
| 55 | SL300382021 | JOINT RÉSERVOIR E-120/125 |
| 56 | SL300350001 | RÉSERVOIR E-120 |
| 57 | SL310004207 | COUVERCLE RÉSERVOIR E-120 NOIR |
| 58 | SL300350856 | PIED ANTI-GLISSEMENT M8X20 |
| 59 | SL310003530 | RELAIS COMPRESSEUR EMT36HLP 220-240/50 |
| 60 | SL310003531 | CLIXON COMPRESSEUR EMT36HLP 220-240/50 |

LISTA DE PEÇAS E-120 TS-E P BL/NG

| Nº | Referência | Descrição |
|----|-------------|--|
| 1 | SL310004070 | CONJ. CHASSIS INT.BRANCO + EVAP. E-120 TS-E NH |
| 2 | SL310003836 | BANDEJA CHASSI NH |
| 3 | SL310003838 | SUORTE BANDEJA GOTEJAMENTO NH |
| 4 | SL300000828 | PARAFUSO INOX NFE-27128 M4 x 10 |
| 5 | SL310003839 | ANCHORAGE PAINEL CONTROLE NH |
| 6 | SL310004326 | PARAFUSO INOX D-933 M3x12 |
| 7 | SL310004205 | PAINEL CONTROLES NH 2 INTERR. PRETO |
| 8 | SL310003963 | ADESIVO PAINEL CONTR. NH 2 INTERR. |
| 9 | SL300950567 | INTERRUPTOR GERAL 15A |
| 10 | SL310002718 | TERMOSTATO ELECTRÔNICO + TEMP. 09 |
| 11 | SL310004206 | CONJ. PAINEL CONTR. E-120 TS-E NH PRETO |
| 12 | SL310004202 | ALAVANCA TORNEIRA NH PRETA |
| 13 | SL310004201 | TAMPA TORNEIRA NH PRETA |
| 14 | SL310003959 | MOLHE TORNEIRA NH |
| 15 | SL310004203 | TORNEIRA COMPLETE NH PRETA |
| 16 | SL300970262 | BANDEJA GOTEJAMENTO GB-10 PRETA |
| 17 | SL300970263 | GRADE GOTEJAMENTO GB-10 PRETA |
| 18 | SL340000502 | BANDEJA GOTEJAMENTO + GRADE GB PRETA |
| 19 | SL310004200 | PAINEL LATERAL NH PRETO |
| 20 | SL330000285 | COMPRESSOR EMT36HLP 220-240/50 |
| 21 | SL300950441 | PARAFUSO ZINCADO DIN 933 M6X30 |
| 22 | SL300000254 | ANILHA ZINCADA DIN 9021 M6 |
| 23 | SL31JEMG060 | PORCA ZINCADA D-934 M6 |
| 24 | SL300001896 | VÁLVULA OBUS CARGA HB.1T L 50 |
| 25 | SL30NW0F006 | TUBO DE COBRE 1/4 (KG.) (PEDIR MTS.) |
| 26 | SL300197024 | TUBO ARMAFLEX AC-6x06 (MTS) |
| 27 | SL300951357 | PÉ NIVELADOR GHZ-14 V/99 |
| 28 | SL300310112 | PARAFUSO LATÃO DIN 933 M4X15 |
| 29 | SL300310251 | ANILHA LATÃO DIN 125 M4 |
| 30 | SL300310206 | PORCA LATÃO DIN 934 M4 |

| Nº | Referência | Descrição |
|----|-------------|--|
| 31 | SL38WBPA107 | PASSA-FIO PA107 ELETTRGIBI |
| 32 | SL37TAH0401 | MOTOVENTILADOR 120X120X38 220/50 |
| 33 | SL300009227 | PARAFUSO ZINCADO DIN 933 M4X45 |
| 34 | SL300191008 | TUBO DE COBRE 3/16 Mts.(R.15M) |
| 35 | SL300310110 | PARAFUSO LATÃO DIN 86 M4X10 |
| 36 | SL30PZ12NT8 | TUBO ESCOAM. SILICONA BRANCA Ø8XØ12 X MTS. |
| 37 | SL300950361 | CONDENSADOR E-120/E-125 |
| 38 | SL300950438 | FILTRO DESIDRATADOR 20 GR. |
| 39 | SL310004088 | TUBO COBRE 1/4 FILTRO-CONDENSADOR E-112 NH |
| 40 | SL310001819 | CONDENSADOR + FILTRO E-120/E-125 |
| 41 | SL310004107 | TUBO CAPILAR COBRE D-0.80MM L 2.70M |
| 42 | SL310002739 | TRANSFORMADOR 230/12 3VA (TA 60°) ENEC |
| 43 | SL300352121 | MOTORREDUTOR 30 R.P.M. 220/50 |
| 44 | SL3CHML029A | JUNTA PLANA Ø5XØ29X1 |
| 45 | SL300352122 | ENCAIXE TRANSMISSÃO E-120 |
| 46 | SL300310630 | PASSADOR DE ALETA E-125 1'5X25 |
| 47 | SL310003951 | GRUPO MOTOR COMPL. E-112/120 TS-E NH 220 |
| 48 | SL300200015 | TERMINAL TOMADA TERRA PE-123 D4 |
| 49 | SL310001883 | DISTANCIADOR INOX SP1525 M3X25 |
| 50 | SL310002736 | SOA FORA TEMP.TERMOST.ELECTRÔ. V/09 |
| 51 | SL300310208 | PORCA INOX DIN 934 M3 |
| 52 | SL310003075 | GOMA TORNEIRA NH |
| 53 | SL310003965 | HASTE AGITADOR E-112/120/125 NH |
| 54 | SL300350903 | PÁS AGITADOR E-112/120 01 |
| 55 | SL300382021 | JUNTA DEPÓSITO E-120/125 |
| 56 | SL300350001 | DEPÓSITO E-120 |
| 57 | SL310004207 | TAMPA DEPOSITO E-120 PRETA |
| 58 | SL300350856 | PÉ ANTIDERRAPAGEM M8X20 |
| 59 | SL310003530 | RELÉ COMPRESSOR EMT36HLP 220-240/50 |
| 60 | SL310003531 | CLIXON COMPRESSOR EMT36HLP 220-240/50 |

LISTA DE PIEZAS E-125 TS-E P BL/NG

| Nº | Referencia | Denominación |
|----|-------------|--|
| 1 | SL310004073 | CONJ.CHASIS INT.BLNC+EVAP. E-125 TS-E NH |
| 2 | SL310003836 | BANDEJA CHASIS NH |
| 3 | SL310003838 | SOPORTE BANDEJA GOTEIO NH |
| 4 | SL300000828 | TORNILLO INOX NFE-27128 M4 x 10 |
| 5 | SL310003839 | ANCLAJE PANEL MANDOS NH |
| 6 | SL300310087 | TORNILLO INOX D-84 M3x20 |
| 7 | SL310004205 | PANEL MANDOS NH 2 INTERR.NEGRO |
| 8 | SL310003963 | ADHESIVO P. MANDOS NH 2 INTERR. |
| 9 | SL300950567 | INTERRUPTOR GENERAL E/DR. 15A. |
| 10 | SL310002718 | TERMOSTATO ELECTRON. + TEMP. 09 |
| 11 | SL310004206 | CONJ.MONT.P.MAND. E-120 TS-E NH NEGRO |
| 12 | SL310004202 | LEVA GRIFO NH NEGRA |
| 13 | SL310004201 | OBTURADOR GRIFO NH NEGRO |
| 14 | SL310003959 | MUELLE GRIFO NH |
| 15 | SL310004203 | GRIFO COMPLETO NH NEGRO |
| 16 | SL300970262 | BANDEJA GOTEIO GB-10 NEGRA |
| 17 | SL300970263 | REJILLA GOTEIO GB-10 NEGRA |
| 18 | SL340000502 | BANDEJA GOTEIO + REJILLA GB NEGRA |
| 19 | SL310004200 | PANEL LATERAL NH NEGRO |
| 20 | SL330000239 | COMPRESOR EMT43HLP 220-240/50 IMQ |
| 21 | SL300950441 | TORNILLO ZINC D-933 M6x30 |
| 22 | SL300000254 | ARANDELA ZINC DIN 9021 M6 |
| 23 | SL31JDMG060 | TUERCA ZINC D-985 M6 |
| 24 | SL300001896 | VALVULA OBUS CARGA HB.1T L 50 |
| 25 | SL30NW0F006 | TUBO DE COBRE 1/4 (KG.) (PEDIR MTS.) |
| 26 | SL300197024 | TUBO ARMAFLEX AC-6x06 (MTS) |
| 27 | SL300951357 | PIE NIVELADOR GHZ-14 V/99 |
| 28 | SL300310112 | TORNILLO LATON D-933 M4x15 |
| 29 | SL300310251 | ARANDELA LATON DIN 125 M4 |
| 30 | SL300310206 | TUERCA LATON DIN 934 M4 |

| Nº | Referencia | Denominación |
|----|-------------|--|
| 31 | SL38WBPA107 | PASACABLE PA107 ELETTRGIBI |
| 32 | SL37TAH0401 | MOTOVENTILADOR 120x120x38 220v |
| 33 | SL300009227 | TORNILLO ZINC D-933 M4x45 |
| 34 | SL300191008 | TUBO DE COBRE 3/16 Mts.(R.15M) |
| 35 | SL300310110 | TORNILLO LATON D-86 M4x10 |
| 36 | SL30PZ12NT8 | TUBO SILICONA ALIMENT. BLANCA ø8x12 (M) |
| 37 | SL300950361 | CONDENS. E-120/E-125 |
| 38 | SL300950438 | FILTRO DESHIDRATADOR 20 GR. |
| 39 | SL310004088 | TUBO COBRE 1/4 FILTRO-COND. E-112 NH |
| 40 | SL310001819 | CONDENS.+FILTRO E-120/E-125 |
| 41 | SL310004106 | TUBO CAPILAR COBRE D-0.80MM L 3.25M |
| 42 | SL310002739 | TRANSFORMADOR 230/12 3VA (TA 60°) ENEC |
| 43 | SL300352121 | MOTORREDUCTOR ENFRIADOR 220/50-60 30 RPM |
| 44 | SL3CHML029A | ARANDELA PLANA EPDM NEGRO ø5xø29 x1 |
| 45 | SL310004077 | ENCAJE TRANSMISION ENF. E-125 NH |
| 46 | SL300310630 | PASADOR ALETA E-125 1,5x25 |
| 47 | SL310004078 | GRUPO MOTOR COMPL. E-125 TS-E NH 220 |
| 48 | SL300200015 | TERMINAL TOMA TIERRA PE-123 ø4 |
| 49 | SL310001883 | DISTANCIADOR INOX SP1525 M3X25 |
| 50 | SL310002736 | SONDA TEMPER. TERMOST. ELECTR. V/09 |
| 51 | SL300310208 | TUERCA INOX DIN 934 M3 |
| 52 | SL310003075 | GOMA GRIFO NH |
| 53 | SL310003965 | ASTA AGITADOR ENFRI. E-112/120/125 NH |
| 54 | SL300350806 | AGITADOR ENFR. E-125 01 |
| 55 | SL300382021 | JUNTA EXTERIOR DEPOSITO E-120/125 |
| 56 | SL300382019 | DEPOSITO H-125 ABIERTOS |
| 57 | SL310004208 | TAPA DEPOSITO E-125 NEGRA |
| 58 | SL300350856 | PIE ANTIDESLIZANTE M-8x20 |
| 59 | SL310002753 | RELE COMPRESOR EMT43HLP 220-240/50 IMQ |
| 60 | SL310002754 | CLIXON COMPRESOR EMT43HLP 220-240/50 IMQ |

LIST OF COMPONENTS PARTS E-125 TS-E P BL/NG

| N° | Reference | Description |
|----|-------------|--|
| 1 | SL310004073 | CHASSIS ASS. BLNC+EVAP. E-125 TS-E NH |
| 2 | SL310003836 | CHASSIS TRAY NH |
| 3 | SL310003838 | DRIP TRAY SUPPORT NH |
| 4 | SL300000828 | STAINLESS STEEL SCREW NFE-27128 M4 X 10 |
| 5 | SL310003839 | FIXING CONTROL PANEL NH |
| 6 | SL300310087 | STAINLESS STEEL SCREW D-84 M3X20 |
| 7 | SL310004205 | CONTROL PANEL NH 2 SWITCHB BLACK |
| 8 | SL310003963 | CONTROL PANEL ADHESIVE NH 2 SWITCH |
| 9 | SL300950567 | GENERAL SWITCH 15 AMP. |
| 10 | SL310002718 | ELECTRONIC THERMOSTAT + TEMP 09 |
| 11 | SL310004206 | CONTROL PANEL ASSEMBLY E-120 TS-E NH BLACK |
| 12 | SL310004202 | LEVER DISPENSER NH BLACK |
| 13 | SL310004201 | TAP OBTURATOR NH BLACK |
| 14 | SL310003959 | DISPENSER SPRING NH |
| 15 | SL310004203 | FULL DISPENSER NR BLACK |
| 16 | SL300970262 | DRIP TRAY GB-10 BLACK |
| 17 | SL300970263 | DRIP SCREEN GB 10 BLACK |
| 18 | SL340000502 | DRIP TRAY ASSY - BLACK |
| 19 | SL310004200 | LATERAL PANEL NH BLACK |
| 20 | SL330000239 | COMPRESSOR EMT43HLP 220-240/50 IMQ |
| 21 | SL300950441 | ZINC SCREW DIN 933 M6X30 |
| 22 | SL300000254 | ZINC WASHER DIN 9021 M6 |
| 23 | SL31JDMG060 | ZINC NUT DIN 985 M6 |
| 24 | SL300001896 | CHARGE VALVE HB.1 T L 50 |
| 25 | SL30NW0F006 | COPPER TUBE 1/4 (KG.) (ASK MTS) |
| 26 | SL300197024 | ARMAFLEX TUBE AC-6X06 (MTS) |
| 27 | SL300951357 | RUBBER FOOT GHZ-14 V/99 |
| 28 | SL300310112 | BRASS SCREW DIN 933 M4X15 |
| 29 | SL300310251 | BRASS WASHER DIN 125 M4 |
| 30 | SL300310206 | BRASS NUT DIN 934 M4 |

| N° | Reference | Description |
|----|-------------|---|
| 31 | SL38WBPA107 | POWER CABLE FAIRLEAD |
| 32 | SL37TAH0401 | MOTOVENTILATOR 120X120X38 220/50-60 |
| 33 | SL300009227 | ZINC SCREW DIN 933 M4X45 |
| 34 | SL300191008 | COPPER TUBE 3/16 MTS (E.15M) |
| 35 | SL300310110 | BRASS SCREW DIN 86 M4X10 |
| 36 | SL30PZ12NT8 | DRAINPIPE WHITE SILICONE 8X12 X MTS. |
| 37 | SL300950361 | CONDENSER E-120/E-125 |
| 38 | SL300950438 | FILTER DRIER 20 GR. |
| 39 | SL310004088 | COPPER TUBE 1/4 FILTER-COND. E-112 NH |
| 40 | SL310001819 | CONDENSER + FILTER E-120/E-125 |
| 41 | SL310004106 | COPPER CAPILLARY TUBE D-0.80MM L 3.25M |
| 42 | SL310002739 | TRANSFORMER 230/12 3VA (TA 60°) |
| 43 | SL300352121 | MOTOR REDUCING 30 R.P.M. 220/50 |
| 44 | SL3CHML029A | PLAIN JOINT Ø5XØ29X1 |
| 45 | SL310004077 | TRANSMISSION FITTING E-125 NH |
| 46 | SL300310630 | PIN SOCKET MOTOR 1'5X25 |
| 47 | SL310004078 | FULL MOTOR GROUP E-125 TS-E NH 220 |
| 48 | SL300200015 | TERMINAL PE-123 D4 |
| 49 | SL310001883 | STAINLESS STEEL SPACER SP1525 M3X25 |
| 50 | SL310002736 | SOUNDS OUT TEMP. ELECTRONIC THERM. V/09 |
| 51 | SL300310208 | STAINLESS STEEL NUT DIN934 M3 |
| 52 | SL310003075 | GUM DISPENSER NH |
| 53 | SL310003965 | COOLER MIXER SHAFT E-112/120 01 |
| 54 | SL300350806 | SHOVE E-125 01 |
| 55 | SL300382021 | TANK JOINT E-120/125 |
| 56 | SL300382019 | TANK H-125 |
| 57 | SL310004208 | TANK COVER E-125 BLACK |
| 58 | SL300350856 | ANTISKID RUBBER FOOT M8X20 |
| 59 | SL310002753 | COMPRESSOR RELAY EMT43HLP 220-240/50 IMQ |
| 60 | SL310002754 | COMPRESSOR CLIXON EMT43HLP 220-240/50 IMQ |

LISTE DES PARTIES COMPOSANTS E-125 TS-E P BL/NG

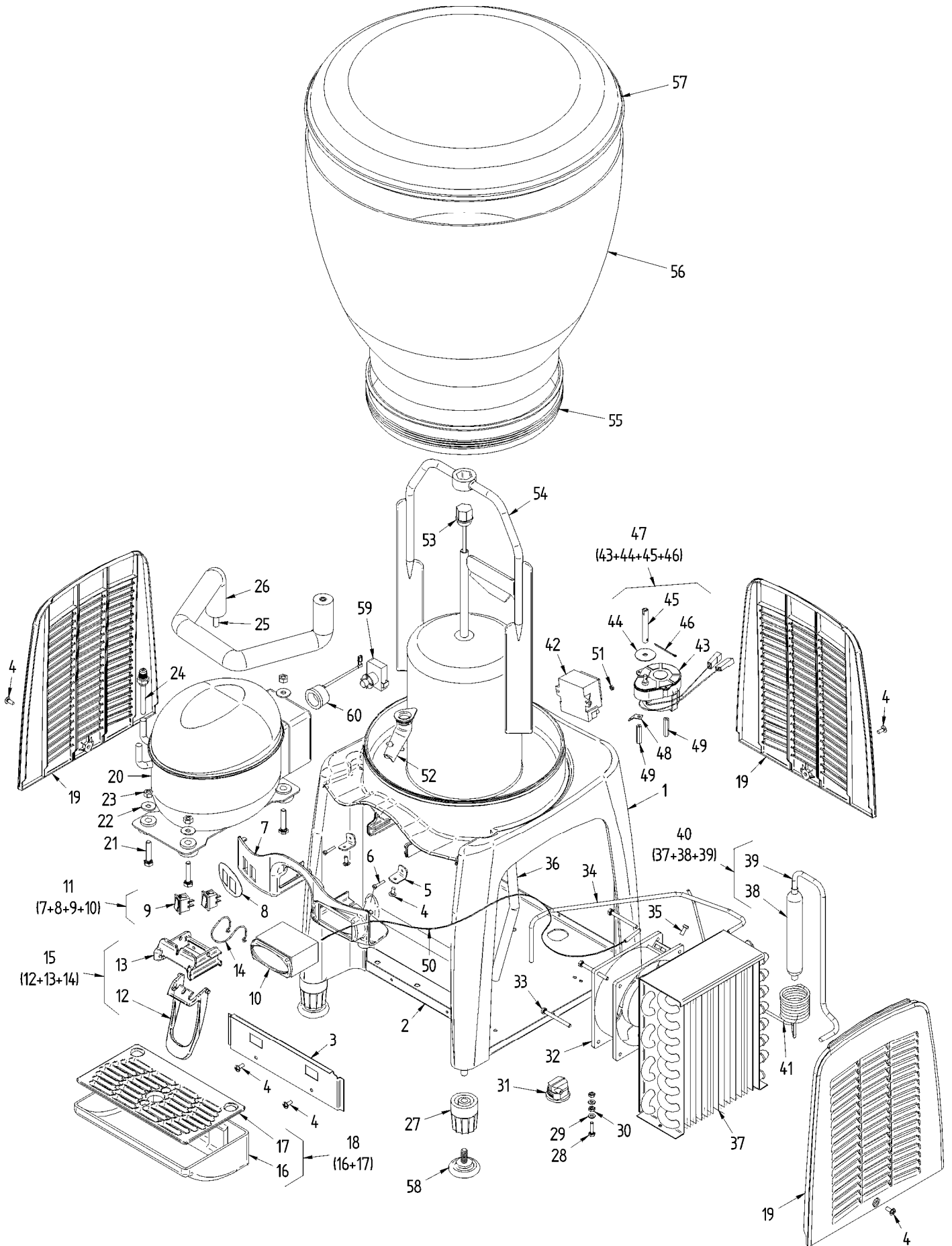
| N° | Référence | Description |
|----|-------------|---|
| 1 | SL310004073 | ENS. CHASSIS INT.BLNC+EVAP. E-125 TS-E NH |
| 2 | SL310003836 | PLATEAU CHÂSSIS NH |
| 3 | SL310003838 | SUPPORT PLATEAU D'ÉGOUTTEMENT NH |
| 4 | SL300000828 | VIS INOX NFE-27128 M4 X 10 |
| 5 | SL310003839 | ANCRAGE PANNEAU COMMANDS NH |
| 6 | SL300310087 | VIS INOX D-84 M3X20 |
| 7 | SL310004205 | PANNEAU COMMANDE NH 2 INTERR. NOIR |
| 8 | SL310003963 | ADHÉSIF P. COMMANDES NH 2 INTERR. |
| 9 | SL300950567 | INTÉRRUPTEUR GÉNÉRAL E/DR. 15A. |
| 10 | SL310002718 | THERMOSTAT ÉLECT. + TEMP. 09 |
| 11 | SL310004206 | ENS. MONT. P. COMM. E-120 TS-E NH NOIR |
| 12 | SL310004202 | LEVIER ROBINET NH NOIR |
| 13 | SL310004201 | OBTURATEUR ROBINET NH NOIR |
| 14 | SL310003959 | RESSORT ROBINET NH |
| 15 | SL310004203 | ROBINET COMPLET NH NOIR |
| 16 | SL300970262 | PLATEAU D'ÉGOUTTEMENT GB-10 NOIR |
| 17 | SL300970263 | GRILLE D'ÉGOUTTEMENT GB-10 NOIR |
| 18 | SL340000502 | PLATEAU D'ÉGOUTTEMENT GB COMPLET NOIR |
| 19 | SL310004200 | PANNEAU LATÉRAL NH NOIR |
| 20 | SL330000239 | COMPRESSEUR EMT43HLP 220-240/50 IMQ |
| 21 | SL300950441 | VIS ZINC DIN 933 M6X30 |
| 22 | SL300000254 | RONDELLE ZINC DIN 9021 M6 |
| 23 | SL31JDMG060 | ÉCROU ZINC D-985 M6 |
| 24 | SL300001896 | VALVE OBUS CHARGE HB.1T L 50 |
| 25 | SL30NW0F006 | TUBE CUIVRE 1/4 (KG) (EN MTS.) |
| 26 | SL300197024 | TUBE ARMAFLEX AC-6x06 (MTS) |
| 27 | SL300951357 | PIED À NIVELER GHZ-14 V/99 |
| 28 | SL300310112 | VIS LAITON DIN 933 M4X15 |
| 29 | SL300310251 | RONDELLE LAITON DIN 125 M4 |
| 30 | SL300310206 | ÉCROU LAITON DIN 934 M4 |

| N° | Référence | Description |
|----|-------------|---|
| 31 | SL38WBPA107 | PASSE-CABLE PA107 ELETTRGIBI |
| 32 | SL37TAH0401 | MOTOVENTILATEUR 120X120 220/50 |
| 33 | SL300009227 | VIS ZINC DIN 933 M4X45 |
| 34 | SL300191008 | TUBE CUIVRE DIN 86 M4X10 |
| 35 | SL300310110 | VIS LAITON DIN 86 M4X10 |
| 36 | SL30PZ12NT8 | TUBE SILICONE ALIMENT. BLANCHE diam8X12 (M) |
| 37 | SL300950361 | CONDENSATEUR E-120/E-125 |
| 38 | SL300950438 | FILTRE DÉSHYDRATEUR 20 GR. |
| 39 | SL310004088 | TUBE CUIVRE 1/4 FILTRE-COND. E-112 NH |
| 40 | SL310001819 | CONDENSATEUR + FILTRE E-120/E-125 |
| 41 | SL310004106 | TUBE CAPILLAIRE CUIVRE D-0.80MM L 3.25M |
| 42 | SL310002739 | TRANSFORMATEUR 230/12 3VA (TA 60°) ENEC |
| 43 | SL300352121 | MOTORÉDUCTEUR 30 R.P.M. 220/50-60 |
| 44 | SL3CHML029A | JOINT PLANE Ø5XØ29X1 |
| 45 | SL310004077 | LIAISON TRANSMISSION MOTEUR E-125 NH |
| 46 | SL300310630 | GOUPILLE LIAISON MOTEUR E-125 1'5X25 |
| 47 | SL310004078 | GROUPE MOTEUR COMPLET E-125 TS-E NH 220 |
| 48 | SL300200015 | BORNE PRISE DE TERRE PE-123 Ø4 |
| 49 | SL310001883 | SÉPARATEUR INOX SP1525 M3x25 |
| 50 | SL310002736 | SONDE TEMPÉR. THERMOST. ÉLECT. V/09 |
| 51 | SL300310208 | ÉCROU INOX DIN 934 M3 |
| 52 | SL310003075 | TUBE CAOUTCHOUC ROBINET NH |
| 53 | SL310003965 | AXE AGITATEUR REFR. E-112/120/125 NH |
| 54 | SL300350806 | PALES E-125 01 |
| 55 | SL300382021 | JOINT RÉSERVOIR E-120/125 |
| 56 | SL300382019 | RÉSERVOIR H-125 |
| 57 | SL310004208 | COUVERCLE RÉSERVOIR E-125 NOIR |
| 58 | SL300350856 | PIED ANTI-GLISSEMENT M8X20 |
| 59 | SL310002753 | RELAIS COMPRESSEUR EMT43HLP 220-240/50 IMQ |
| 60 | SL310002754 | CLIXON COMPRESSEUR EMT43HLP 220-240/50 IMQ |

LISTA DE PEÇAS E-125 TS-E P BL/NG

| Nº | Referência | Descrição |
|----|-------------|--|
| 1 | SL310004073 | CONJ. CHASSIS INT.BRANCO + EVAP. E-125 TS-E NH |
| 2 | SL310003836 | BANDEJA CHASSI NH |
| 3 | SL310003838 | SUPORTE BANDEJA GOTEJAMENTO NH |
| 4 | SL300000828 | PARAFUSO INOX NFE-27128 M4 x 10 |
| 5 | SL310003839 | ANCHORAGE PAINEL CONTROLE NH |
| 6 | SL300310087 | PARAFUSO INOX D-84 M3x20 |
| 7 | SL310004205 | PAINEL CONTROLES NH 2 INTERR. PRETO |
| 8 | SL310003963 | ADESIVO PAINEL CONTR. NH 2 INTERR. |
| 9 | SL300950567 | INTERRUPTOR GERAL 15A |
| 10 | SL310002718 | TERMOSTATO ELECTRÔNICO + TEMP. 09 |
| 11 | SL310004206 | CONJ. PAINEL CONTR. E-120 TS-E NH PRETO |
| 12 | SL310004202 | ALAVANCA TORNEIRA NH PRETA |
| 13 | SL310004201 | TAMPA TORNEIRA NH PRETA |
| 14 | SL310003959 | MOLHE TORNEIRA NH |
| 15 | SL310004203 | TORNEIRA COMPLETE NH PRETA |
| 16 | SL300970262 | BANDEJA GOTEJAMENTO GB-10 PRETA |
| 17 | SL300970263 | GRADE GOTEJAMENTO GB-10 PRETA |
| 18 | SL340000502 | BANDEJA GOTEJAMENTO + GRADE GB PRETA |
| 19 | SL310004200 | PAINEL LATERAL NH PRETO |
| 20 | SL330000239 | COMPRESSOR EMT43HLP 220-240/50 IMQ |
| 21 | SL300950441 | PARAFUSO ZINCADO DIN 933 M6X30 |
| 22 | SL300000254 | ANILHA ZINCADA DIN 9021 M6 |
| 23 | SL31JDMG060 | PORCA ZINCADA DIN 985 M6 |
| 24 | SL300001896 | VÁLVULA OBUS CARGA HB.1T L 50 |
| 25 | SL30NW0F006 | TUBO DE COBRE 1/4 (KG.) (PEDIR MTS.) |
| 26 | SL300197024 | TUBO ARMAFLEX AC-6x06 (MTS) |
| 27 | SL300951357 | PÉ NIVELADOR GHZ-14 V/99 |
| 28 | SL300310112 | PARAFUSO LATÃO DIN 933 M4X15 |
| 29 | SL300310251 | ANILHA LATÃO DIN 125 M4 |
| 30 | SL300310206 | PORCA LATÃO DIN 934 M4 |

| Nº | Referência | Descrição |
|----|-------------|--|
| 31 | SL38WBPA107 | PASSA-FIO PA107 ELETTRGIBI |
| 32 | SL37TAH0401 | MOTOVENTILADOR 120X120X38 220/50 |
| 33 | SL300009227 | PARAFUSO ZINCADO DIN 933 M4X45 |
| 34 | SL300191008 | TUBO DE COBRE 3/16 Mts.(R.15M) |
| 35 | SL300310110 | PARAFUSO LATÃO DIN 86 M4X10 |
| 36 | SL30PZ12NT8 | TUBO ESCOAM. SILICONA BRANCA Ø8XØ12 X MTS. |
| 37 | SL300950361 | CONDENSADOR E-120/E-125 |
| 38 | SL300950438 | FILTRO DESIDRATADOR 20 GR. |
| 39 | SL310004088 | TUBO COBRE 1/4 FILTRO-CONDENSADOR E-112 NH |
| 40 | SL310001819 | CONDENSADOR + FILTRO E-120/E-125 |
| 41 | SL310004106 | TUBO CAPILAR COBRE D-0.80MM L 3.25M |
| 42 | SL310002739 | TRANSFORMADOR 230/12 3VA (TA 60°) ENEC |
| 43 | SL300352121 | MOTORREDUTOR 30 R.P.M. 220/50 |
| 44 | SL3CHML029A | JUNTA PLANA Ø5XØ29X1 |
| 45 | SL310004077 | ENCAIXE TRANSMISSÃO E-125 NH |
| 46 | SL300310630 | PASSADOR DE ALETA E-125 1'5X25 |
| 47 | SL310004078 | GRUPO MOTOR COMPL. E-125 TS-E NH 220 |
| 48 | SL300200015 | TERMINAL TOMADA TERRA PE-123 D4 |
| 49 | SL310001883 | DISTANCIADOR INOX SP1525 M3X25 |
| 50 | SL310002736 | SOA FORA TEMP.TERMOST.ELECTRÔ. V/09 |
| 51 | SL300310208 | PORCA INOX DIN 934 M3 |
| 52 | SL310003075 | GOMA TORNEIRA NH |
| 53 | SL310003965 | HASTE AGITADOR E-112/120/125 NH |
| 54 | SL300350806 | PÁS AGITADOR E-125 01 |
| 55 | SL300382021 | JUNTA DEPÓSITO E-120/125 |
| 56 | SL300382019 | DEPÓSITO H-125 ABIERTOS |
| 57 | SL310004208 | TAMPA DEPOSITO E-125 PRETA |
| 58 | SL300350856 | PÉ ANTIDERRAPAGEM M8X20 |
| 59 | SL310002753 | RELÉ COMPRESSOR EMT43HLP 220-240/50 IMQ |
| 60 | SL310002754 | CLIXON COMPRESSOR EMT43HLP 220-240/50 IMQ |



E-112 TS-E 230/50 BL/NG
E-120 TS-E 230/50 BL/NG
E-125 TS-E 230/50 BL/NG

Cod.: SL310004300 Ed.01